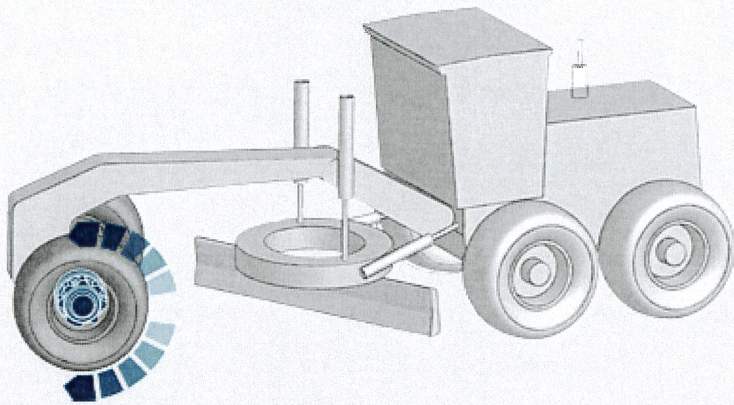


Front wheel drive with clutch for grader from 14 to 26 tons.



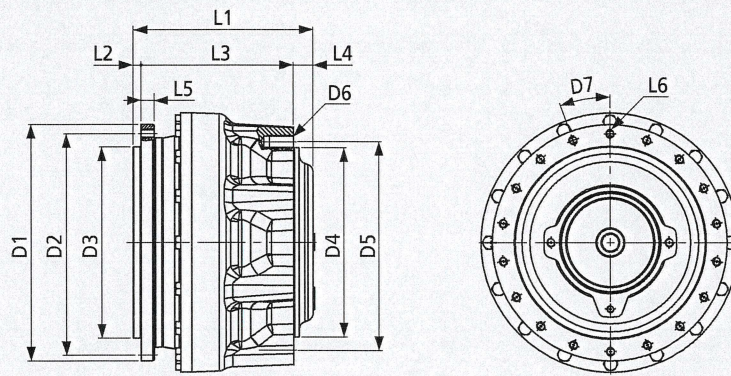
600 Wheel drives

When you are designing an All wheel drive grader, the integration of the new 600 series, developed for this high speed application, is the best possible choice for your vehicle.

A clutch device to allow the high speed option is integrated in the solution.

Type	Torque (Nm)
606 W2	15000

TYPE	WEIGHT	OUTPUT TORQUE	RATIOS	MOTOR TYPE
	tons	Nm	1:	
606 W2	14 ÷ 26	15000	30	high speed



TYPE	D1	D2	D3	D4	D5	D6	D7	L1	L2	L3	L4	L5	L6
606 W2	488	410	360 h8	356 h8	410	M24x3 n°8	20°	342	15	290	37	25	M16x2 n°18